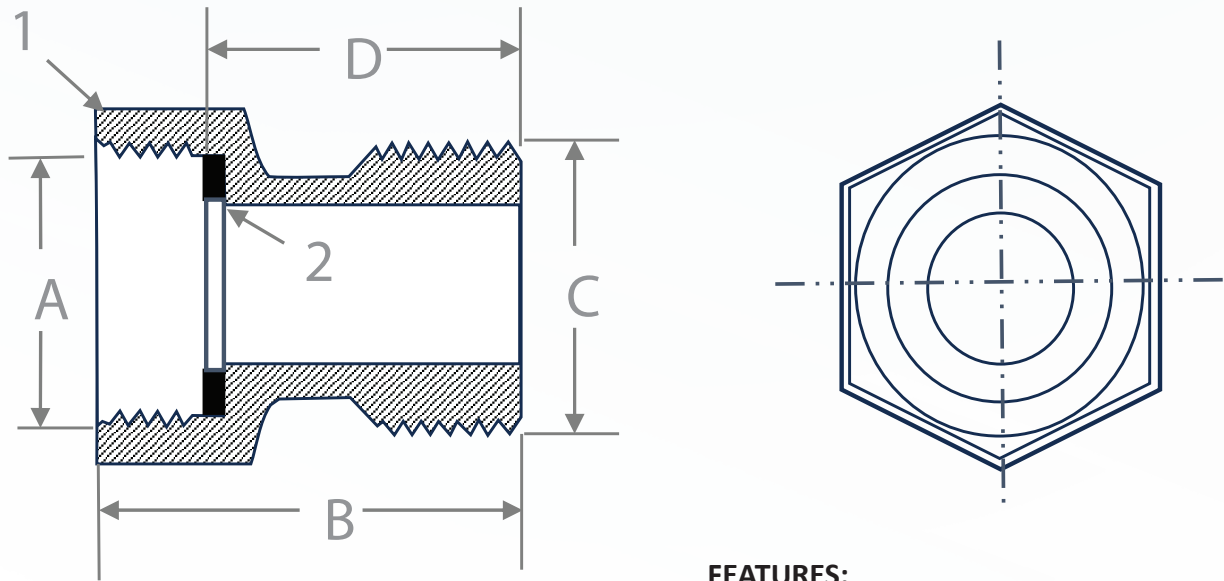


## 3/4" WATER METER EXTENSION SPECIFICATIONS

(adapts 5/8" x 3/4" x 7-1/2" meter to fit a 3/4" meter 9" setting)



### FEATURES:

- ◆ Increase 3/4" meter length
- ◆ Casting with Lead-Free Marking
- ◆ Machined Body and Threads
- ◆ Only one adapter is required

PART #	METER SIZE	A	B	C	D
AME075105LB	3/4" x 7-1/2" to 3/4" x 9" meter	3/4" Meter	1-15/16"	3/4" Meter	1-1/2"

COMPONENT	DESCRIPTION	QTY	MATERIAL
1	Body	1	Lead Free Brass
2	Gasket	1	Rubber

Alexander's brass meter extensions are monitored at every step of the engineering and manufacturing process to assure the highest quality. Each extension is made of NSF-61/G certified brass.

Information provided on this sheet is considered to be correct at the time of publication.