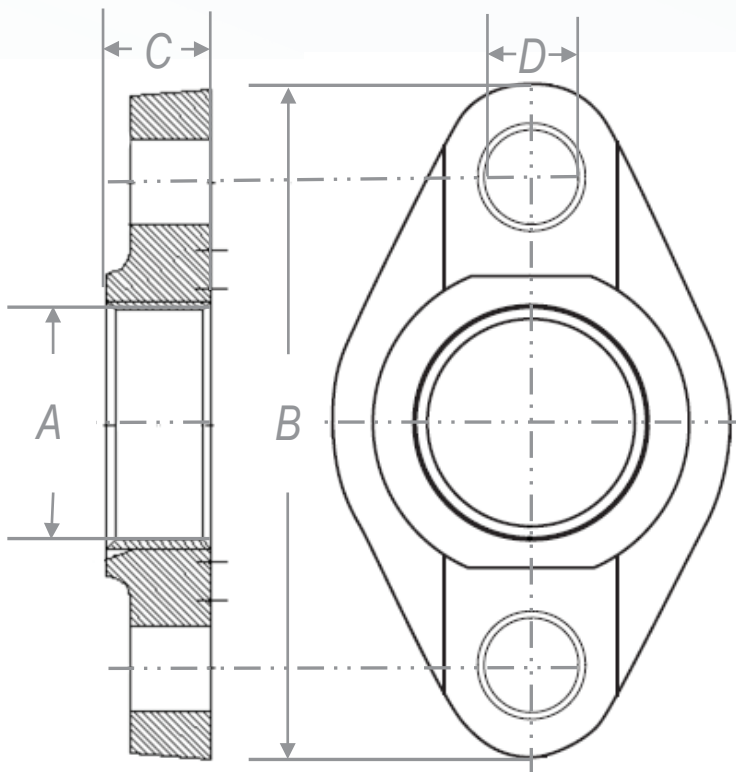


WATER METER FEMALE FLANGE SPECIFICATIONS



FEATURES:

- ◆ Lead Free Bronze Casting 1-1/2" or 2"
- ◆ Casting with Lead-Free Marking
- ◆ Class 125# Flange Specification
- ◆ Machined Double Groove Flange Face
- ◆ Single & Double Kit Options Include:
 - 1 or 2 flanges
 - 1 or 2 full-face drop-in gaskets
 - 2 or 4 grade-5 zinc plated bolts and nuts

PART #	SIZE	A	B	C	D
AMF105LB	1-1/2"	1-1/2" NPT	4"	0.89"	0.79"
AMF200LB	2"	2" NPT	4.5"	0.95"	0.79"

Alexander's brass meter flanges are monitored at every step of the engineering and manufacturing process to assure the highest quality. Each flange is made of NSF-61/G certified brass.

Information provided on this sheet is considered to be correct at the time of publication.