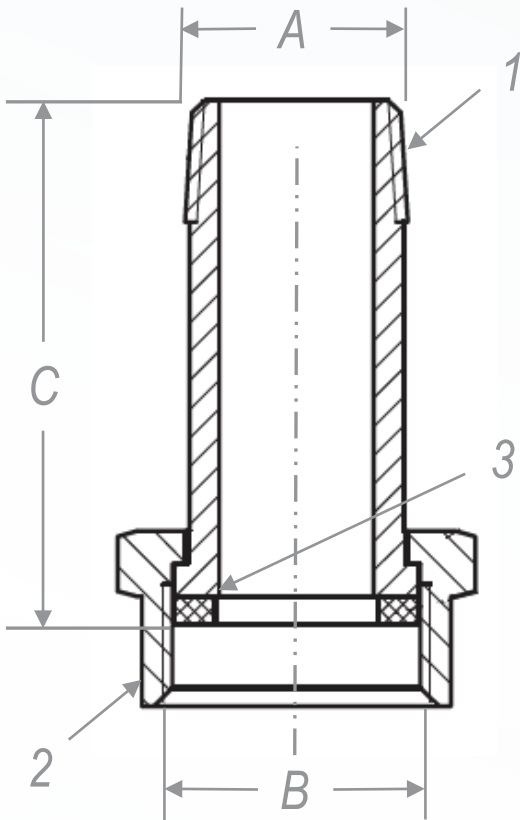


WATER METER STRAIGHT COUPLING SPECIFICATIONS



FEATURES:

- ◆ Lead Free Bronze Casting
- ◆ Casting with Lead-Free Marking
- ◆ Machined Union and Threads

COMPONENT	DESCRIPTION	QTY	MATERIAL
1	Body	1	Lead Free Brass
2	Nut	1	Lead Free Brass
3	Gasket	1	Rubber

PART #	SIZE	A	B	C
AMC062050LB	5/8"x1/2"	1/2" MNPT	5/8" Meter	2-3/8"
AMC062075LB	5/8"x3/4"	3/4" MNPT	3/4" Meter	2"
AMC075205LB	3/4"x3/4"	3/4" MNPT	3/4" Meter	2-1/2"
AMC075300LB	3/4"x3"	3/4" MNPT	3/4" Meter	3"
AMC100LB	1"	1" MNPT	1" Meter	2-5/8"
AMC105LB	1-1/2"	1-1/2" MNPT	1*1/2" Meter	2-3/4"
AMC200LB	2"	2" MNPT	2" Meter	3"

Alexander's brass meter couplings are monitored at every step of the engineering and manufacturing process to assure the highest quality. Each adapter is made of NSF-61/G certified brass.

Information provided on this sheet is considered to be correct at the time of publication.